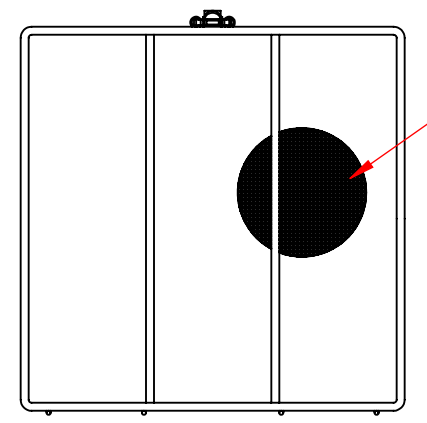
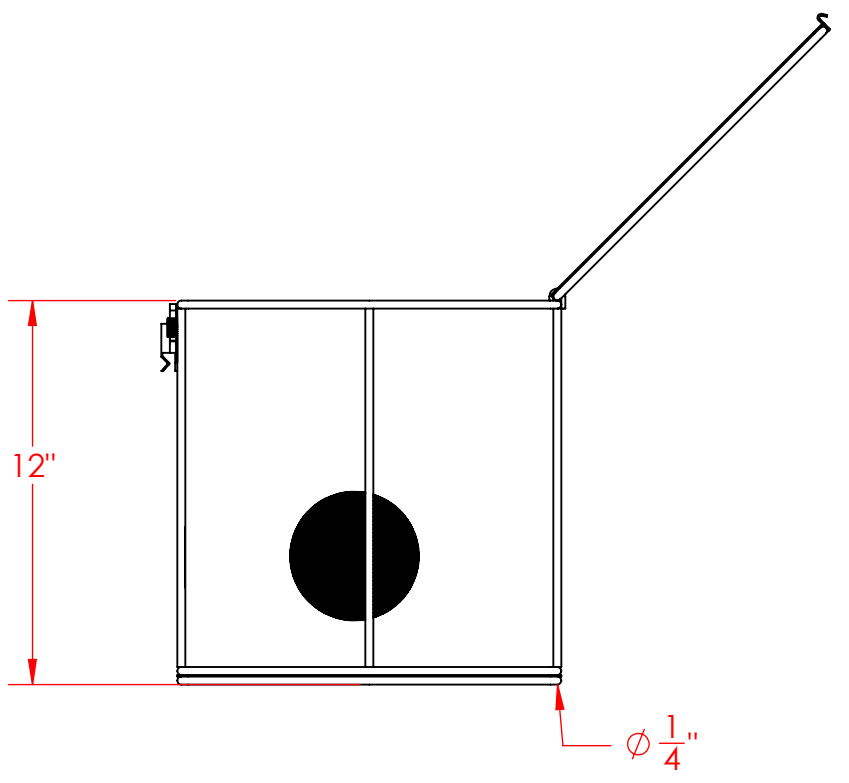
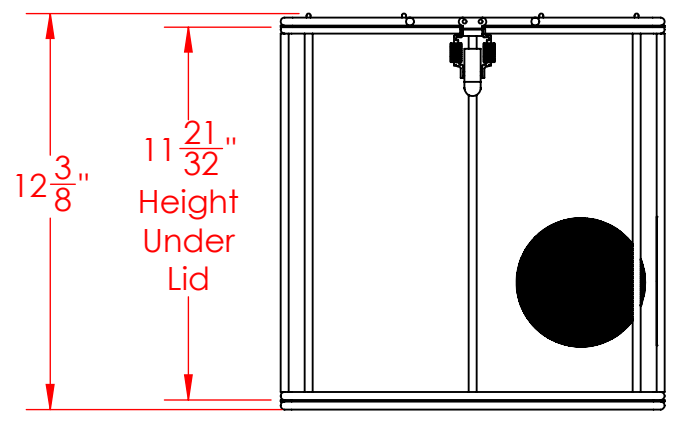
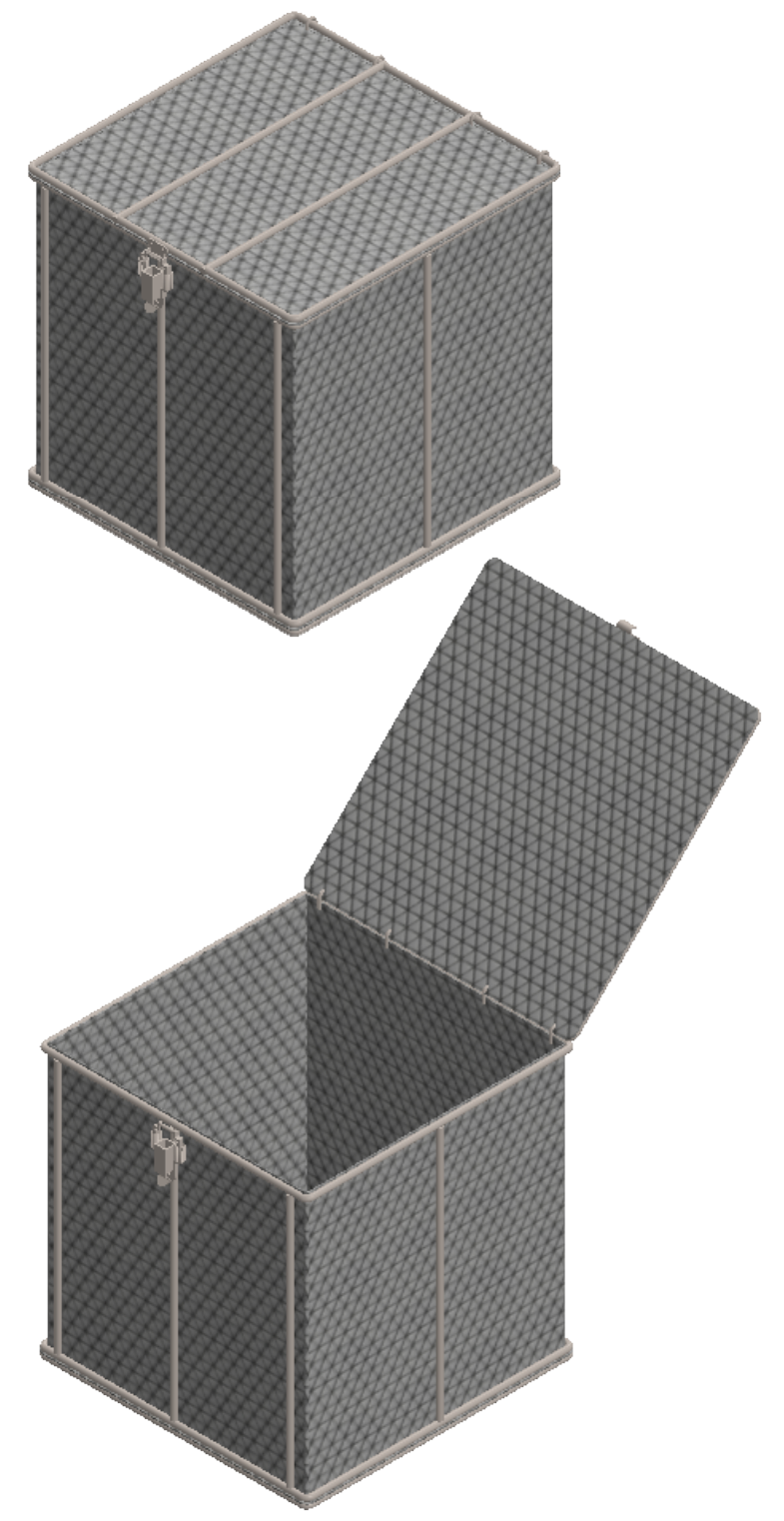


Lid Hidden in this View for Clarity



Lined Bottom, Sides, and Lid with 8 Mesh x .047" Woven Wire (.078" Openings, 39% Open Area)



UNLESS OTHERWISE SPECIFIED:

DIMENSIONS ARE IN INCHES  
TOLERANCES:  
FRACTIONAL  $\pm 1/16$ "  
ANGULAR:  $\pm 5$  DEG.  
TWO PLACE DECIMAL  $\pm 0.03$   
THREE PLACE DECIMAL  $\pm 0.015$

EST WGT  
11.6 lbs.

MATERIAL  
304 Stainless Steel

FINISH  
Natural

DO NOT SCALE DRAWING

**Rectangular Wire Mesh Basket:**  
12Lx12Wx12H, 304 SS, 1/4 Rod Frame,  
Hinged Lid with Latch, Mesh: 8 x .047

**PROPRIETARY AND CONFIDENTIAL**

THE INFORMATION CONTAINED IN THIS DRAWING IS THE SOLE PROPERTY OF THREE M TOOL. ANY REPRODUCTION IN PART OR AS A WHOLE WITHOUT THE WRITTEN PERMISSION OF THREE M TOOL IS PROHIBITED.

SIZE **B** DWG. NO. TMT-120120120-P08S

SCALE: 1:6

SHEET 1 OF 1